

# Ti Link for CEREC

Ti + Zr Custom abutment with Cerec CAD / CAM

**OSSTEM<sup>®</sup>**  
IMPLANT

- You can manufacture very precise and stable Ti + Zr custom abutment for OSSTEM TS fixture system using the cerec CAD/CAM system.



## Ti + Zr Custom Abutment

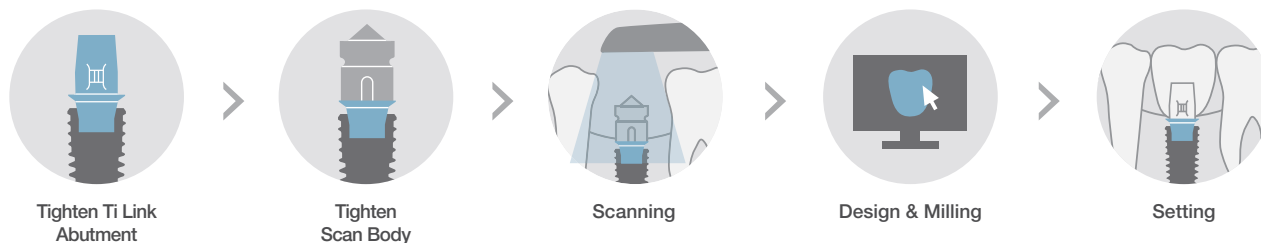
Able to manufacture custom abutment for TS fixture using the cerec CAD/CAM







## Fully Compatible with CEREC System



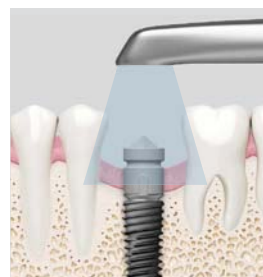
## Ti Link Workflow



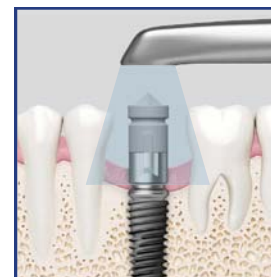
## Product Line-up Order Code

	Ti Link Abutment Set		Scan Post Set	Scan Body Set (10ea/PKG)
				
	Hex	Non Hex		
Mini	TSCTBMWH	TSCTBMNWH	TSCSPMTH	TSCSBS
Regular	TSCTBRWH	TSCTBRNWH	TSCSPRTH	

## Can Overcome Scanning Difficulties With The Scan Post



Ti Link + Scan Body



Scan Post + Scan Body (O)

**OSSTEM<sup>®</sup>**  
IMPLANT

Ab November 2016  
unter [www.bedent.ch](http://www.bedent.ch)  
erhältlich.